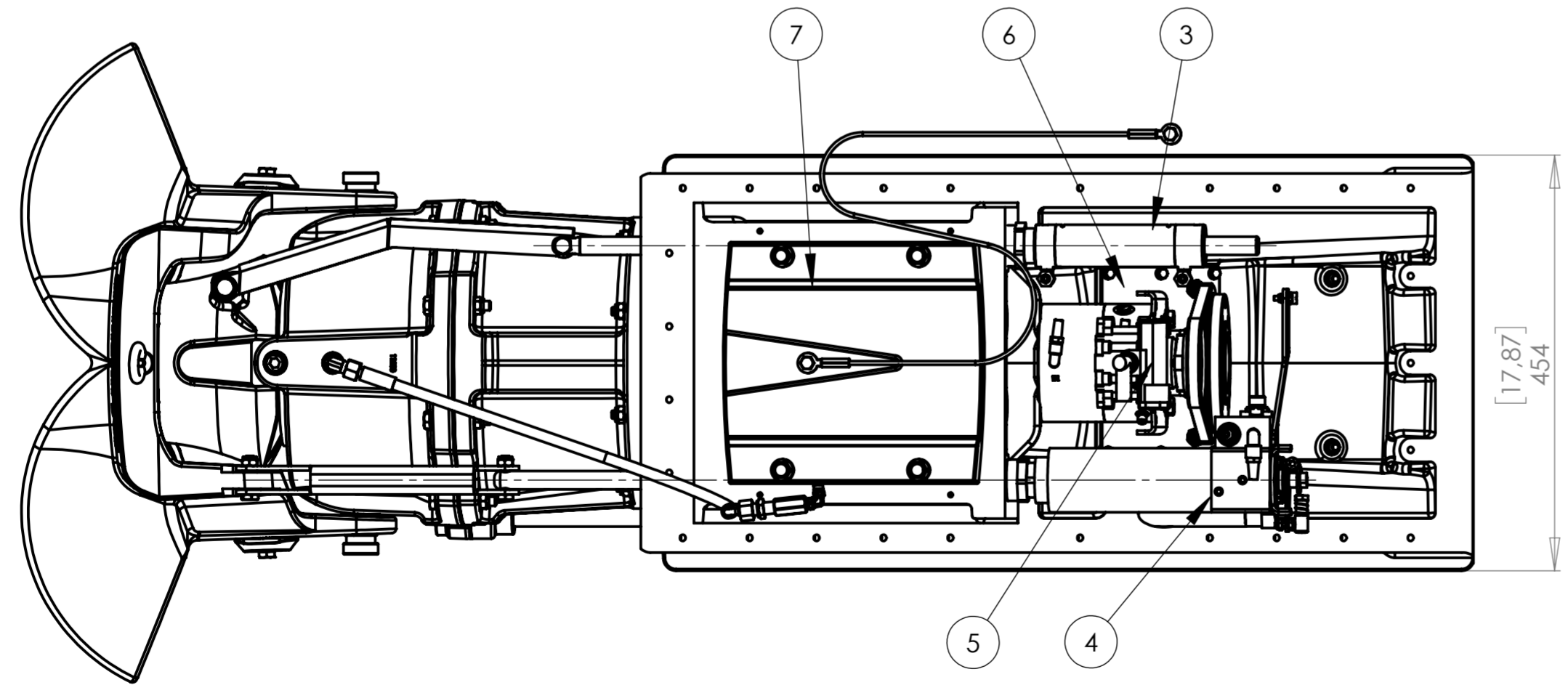
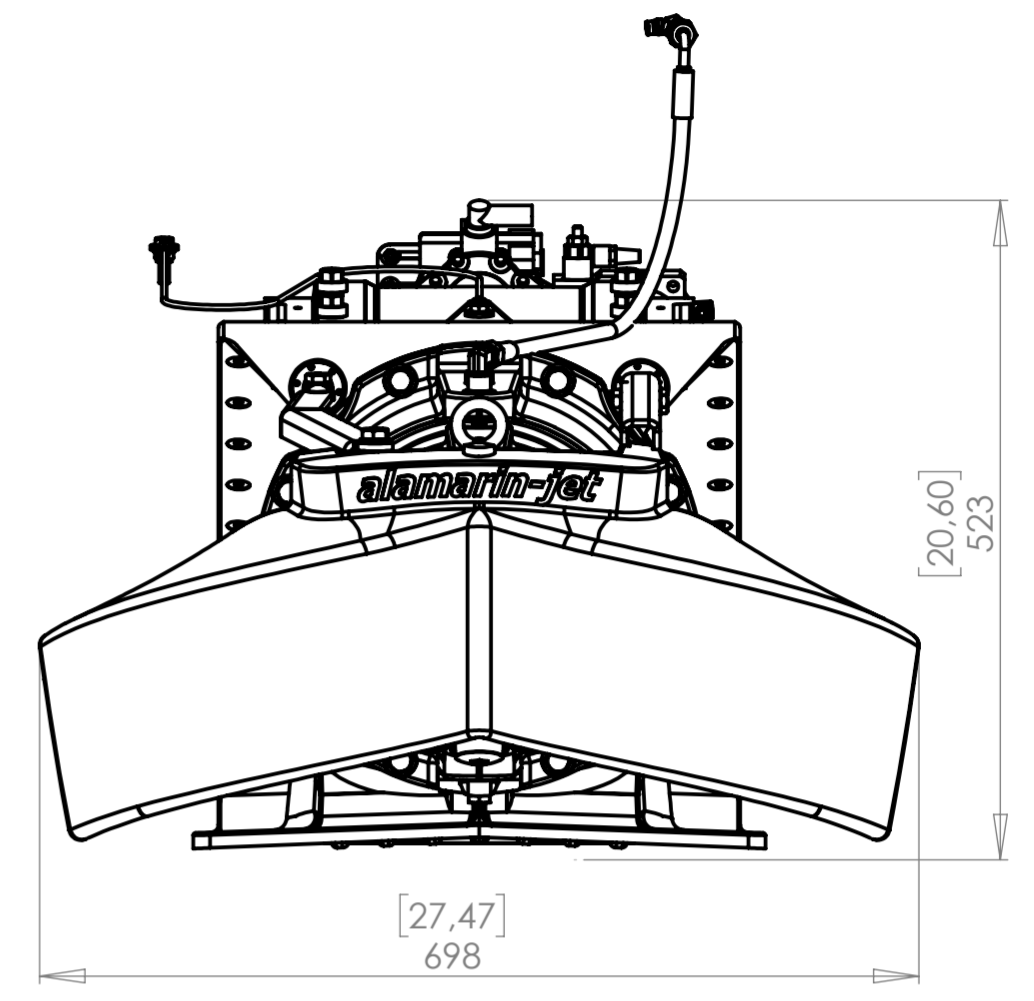
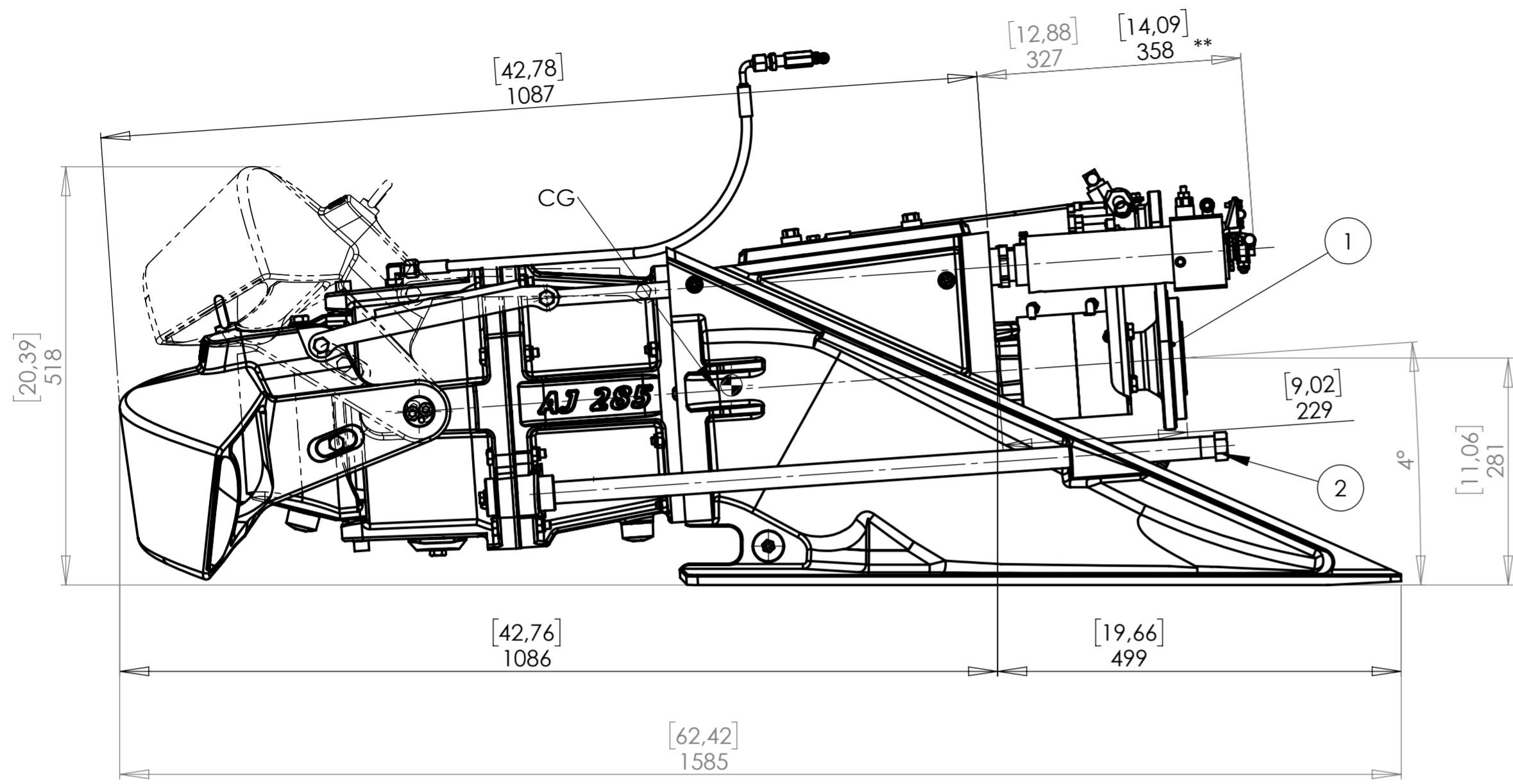


THE INFORMATION CONTAINED HEREIN IS UNCLASSIFIED EXCEPT WHERE SHOWN OTHERWISE. IT IS THE PROPERTY OF ALAMARIN-JET AND IS NOT TO BE REPRODUCED, COPIED, OR TRANSMITTED IN ANY FORM OR BY ANY MEANS, ELECTRONIC OR MECHANICAL, INCLUDING PHOTOCOPYING, RECORDING, OR BY ANY INFORMATION STORAGE AND RETRIEVAL SYSTEM, WITHOUT THE WRITTEN PERMISSION OF ALAMARIN-JET OR ITS DULY AUTHORIZED REPRESENTATIVE. ALL RIGHTS RESERVED.



1. DIN-150 drive flange.
2. 3/4" BSP raw water intake.
3. Integrated hydraulic steering cylinder, compatible with common helm pumps.
4. Integrated hydraulic cylinder for reverse deflector control. 33C cable connection.
5. Integrated hydraulic pump unit for reverse deflector cylinder.
6. Integrated oil cooler for reverse deflector hydraulic system.
7. Inspection hatch.

Technical data

Max. power	368kW/500hp
Max . rpm	3700 1/s
Vessel displacement	5t (single jet, planing)
Impeller diameter	288mm (11.3")
Unit weight	148kg (326lbs)
Entrained water*	29L (7.7gal)

*Volume inside the unit within the boat hull (loss of buoyancy)
 **With IO control system

Dimensions [inch]
mm