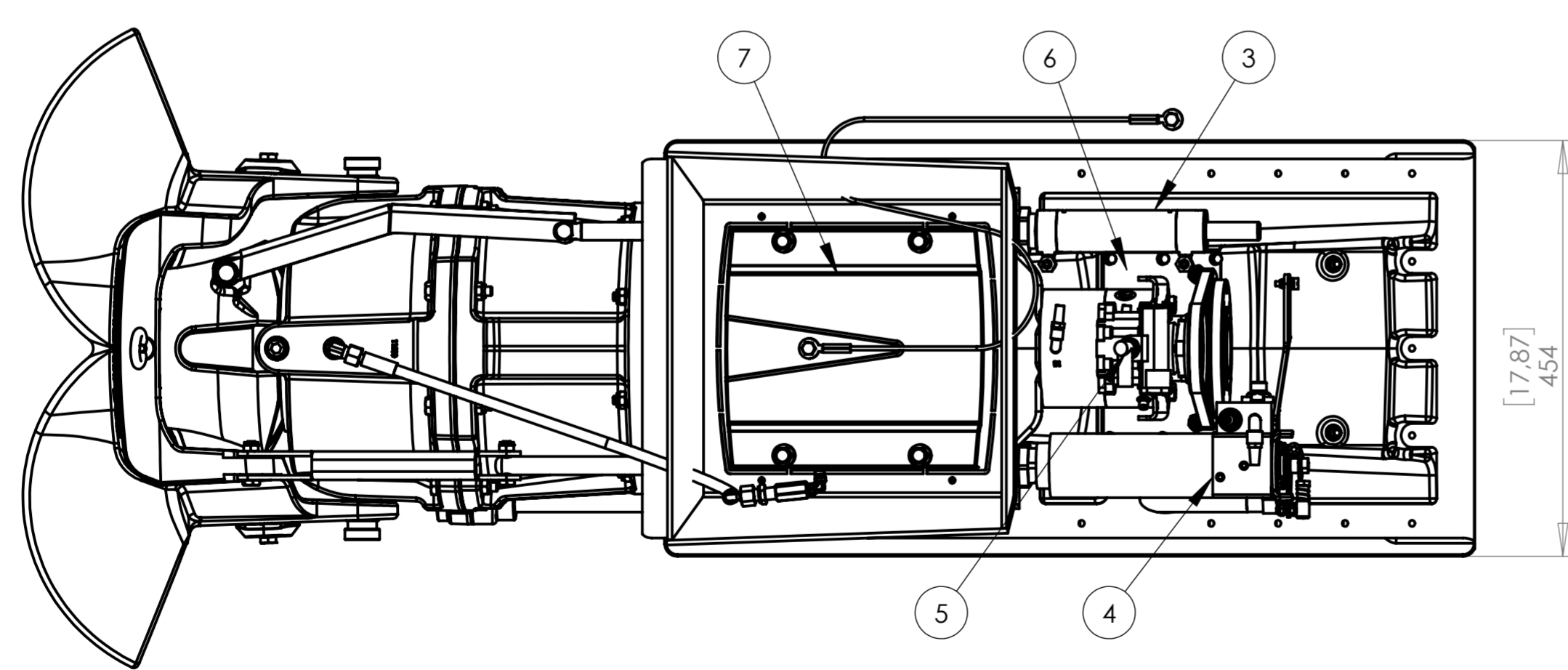
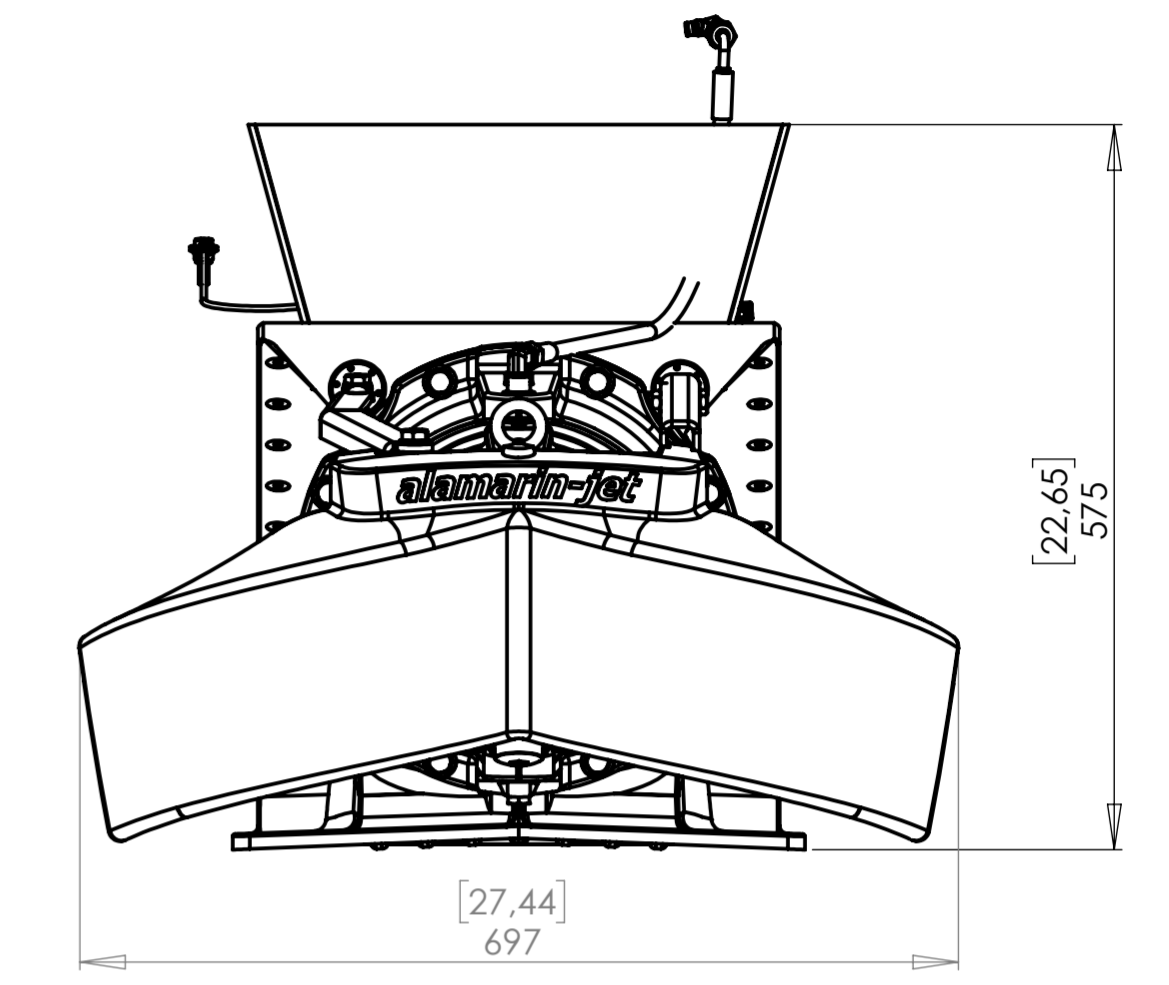
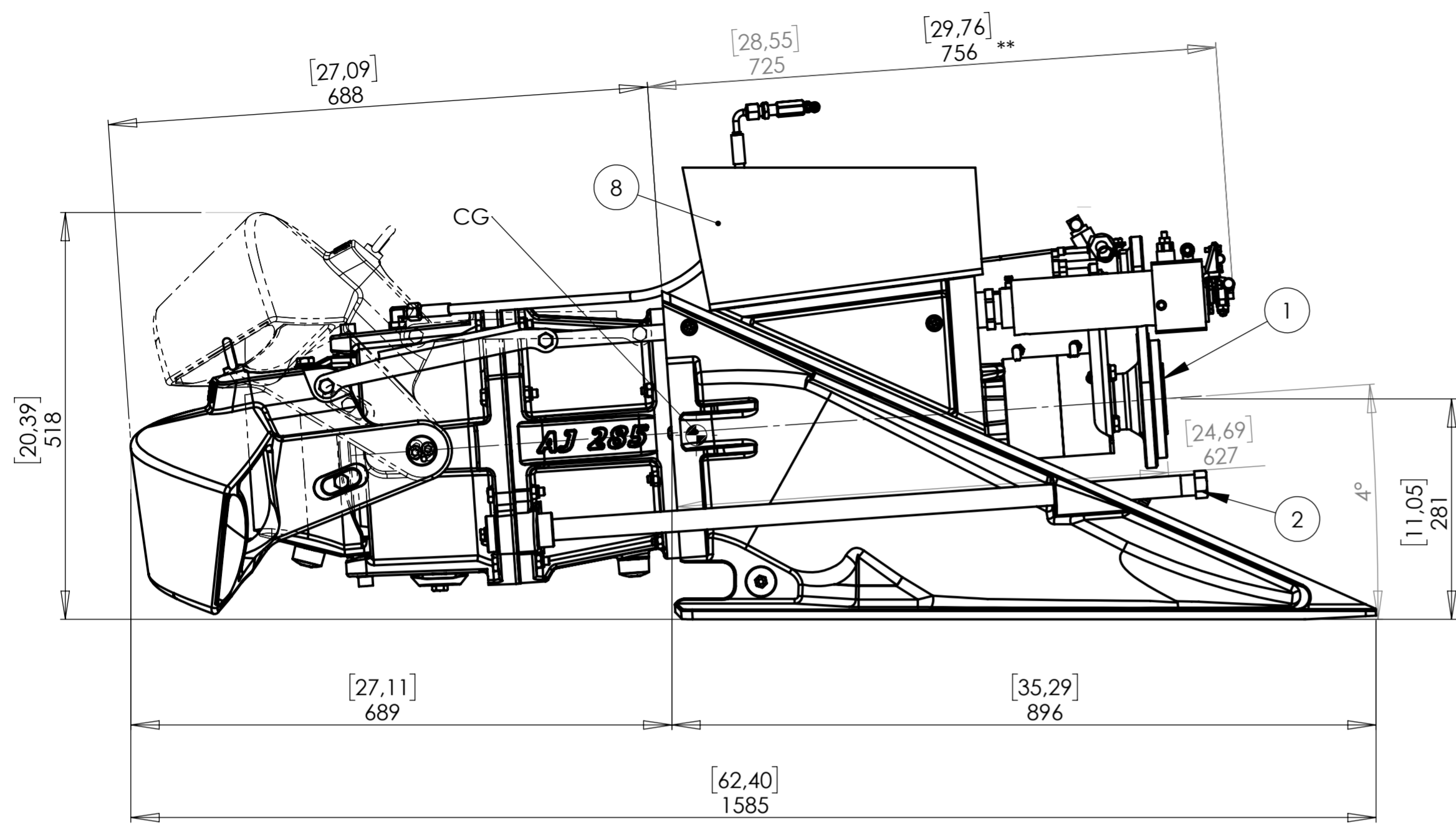


THE INFORMATION CONTAINED HEREIN IS CONFIDENTIAL AND PROPRIETARY TO ALAMARIN-JET. IT IS TO BE KEPT STRICTLY CONFIDENTIAL AND NOT TO BE REPRODUCED, COPIED, OR TRANSMITTED IN ANY FORM OR BY ANY MEANS, ELECTRONIC OR MECHANICAL, INCLUDING PHOTOCOPYING, RECORDING, OR BY ANY INFORMATION STORAGE AND RETRIEVAL SYSTEM, WITHOUT THE WRITTEN PERMISSION OF ALAMARIN-JET OR ITS DULY AUTHORIZED REPRESENTATIVE. ALL RIGHTS RESERVED.



1. DIN-150 drive flange.
2. 3/4" BSP raw water intake.
3. Integrated hydraulic steering cylinder, compatible with common helm pumps.
4. Integrated hydraulic cylinder for reverse deflector control.
5. Integrated hydraulic pump unit for reverse deflector cylinder, 33C cable connection.
6. Integrated oil cooler for reverse deflector hydraulic system.
7. Inspection hatch.
8. Inspection hatch extension. Height depends on waterline level.

Technical data

Max. power	368kW/500hp
Max. rpm	3700 1/s
Vessel displacement	5t (single jet, planing)
Impeller diameter	288mm (11.3")
Unit weight	153kg (337lbs)
Entrained water*	39L (10.3gal)

*Volume inside the unit within the boat hull (loss of buoyancy)
 **With IO control system

Dimensions [inch]
mm

Muutos / Change	Suunnittelija / Designed	Hyväksyjä / Approved by
Osaat 285E, 285C ja 285D korvattu osilla 285E2, 285C3 ja 285D2	BLa 05.10.2018	BLa 31.10.2018

Work Tolerances: Machining SFS4011 (ISO2768) middle Welded structures SFS3393-B length and angles Form and orientation tolerances DIN8570BL3 - E Castings SFS-ISO8062	Surface treatment	Surface area (m ²)	Mass (kg)	Designer	12.03.2015
	Colour		164.29	HRa	
		Product code		Version	
		AJ 285		A	
Size A2		Scale 1:6		Page 2/3	